

The Single-Use Expert for the Biopharma Market



Datasheet Sanitary Clamp Gaskets

For more information, please contact us :

sales@aseptic-group.com

+ 33 (0)4 72 52 02 40

www.aseptic-group.com

Parc du Puy d'Or, 539 allées des frênes, 69760 Limonest, FRANCE



Clamp Gaskets

Hygienic Sanitary Clamp Gaskets

Our Hygienic Sealing Sanitary Gaskets are used to get sealing during fluid transfer at the piping systems in Biotech and Pharma process systems. It has been designed to seal the two surfaces of Tri clamp ferrules to prevent leakage during media transfer process.

It is also ideally used in CIP (Clean-in-place) & SIP (Steam-in-place) Process in biotech and pharmaceutical industries.

Special gaskets are also available : screen gaskets, gauge guard protector, other materials, etc... For more information, please consult us.

TYPICAL APPLICATIONS

Our Hygienic Sanitary Clamp Gaskets are suitable for all biopharmaceutical applications with Clamp connections, whether for utilities (e.g., water loops) or process systems, and compatible with both stainless steel and Single-Use Systems.

FEATURES

- Manufactured in a clean room
- Manufactured according to ASME BPE Standard : contact us for other standard
- Made from Platinum Cured Silicone Rubber or EPDM or FKM or PTFE
- Compliant with FDA 21 CFR.177.2600
- Material compliant with RoHS Directive and with Reach Regulation
- ISO 10993 certification
- USP CLASS VI Certification
- Animal Derived Ingredient Free

BENEFITS

- Prevents the risk of leaks
- Maintains product integrity
- Wide range of different types of gaskets to fulfil the different process challenges
- Withstand temperature extremes



TUBINGS

QUICK COUPLERS

CONNECTIONS AND DISCONNECTIONS

GASKETS

ADAPTERS AND FITTINGS

CONTAINERS

CLOSURES

SENSORS AND MONITORS

PUMPS

SAMPLING SYSTEMS

05 2025

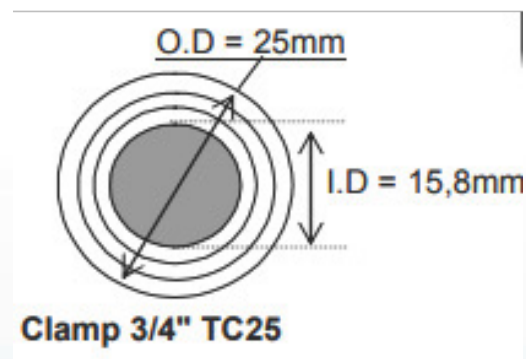
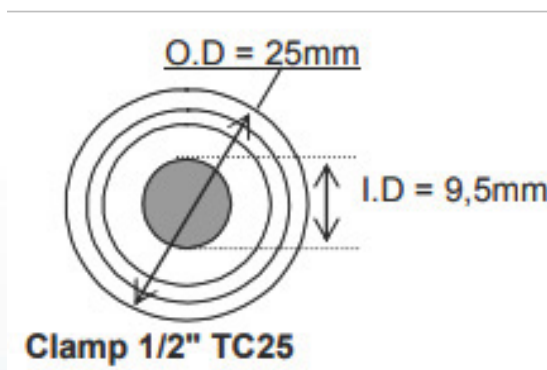
SILICONE

Reference	Designation
AG-42RXPX-050-CR	0.50inch / TC25 Platinum Silicone Tri-Clamp Gasket
AG-42RXPX-075-CR	0.75inch / TC25 Platinum Silicone Tri-Clamp Gasket
AG-40RXPX-100-CR	1.00inch / TC50.5 Platinum Silicone Tri-Clamp Gasket
AG-40RXPX-150-CR	1.50inch / TC50.5 Platinum Silicone Tri-Clamp Gasket
AG-40RXPX-200-CR	2.00inch / TC64 Platinum Silicone Tri-Clamp Gasket

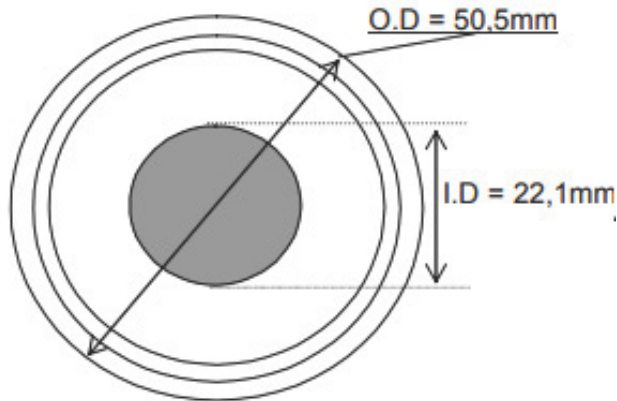
EPDM

Reference	Designation
AG-42MPE-050-CR	0.50inch / TC25 Black EPDM Tri-Clamp Gasket, Peroxide Cured
AG-42MPE-075-CR	0.75inch / TC25 Black EPDM Tri-Clamp Gasket, Peroxide Cured
AG-40MPE-100-CR	1.00inch / TC50.5 Black EPDM Tri-Clamp Gasket, Peroxide Cured
AG-40MPE-150-CR	1.50inch / TC50.5 Black EPDM Tri-Clamp Gasket, Peroxide Cured
AG-40MPE-200-CR	2.00inch / TC64 Black EPDM Tri-Clamp Gasket, Peroxide Cured

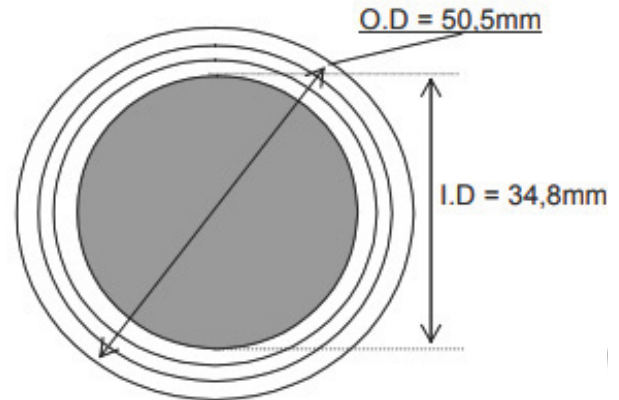
CLAMP SIZES AND IMPERIAL OD DESIGNATIONS (OUTER DIAMETER)



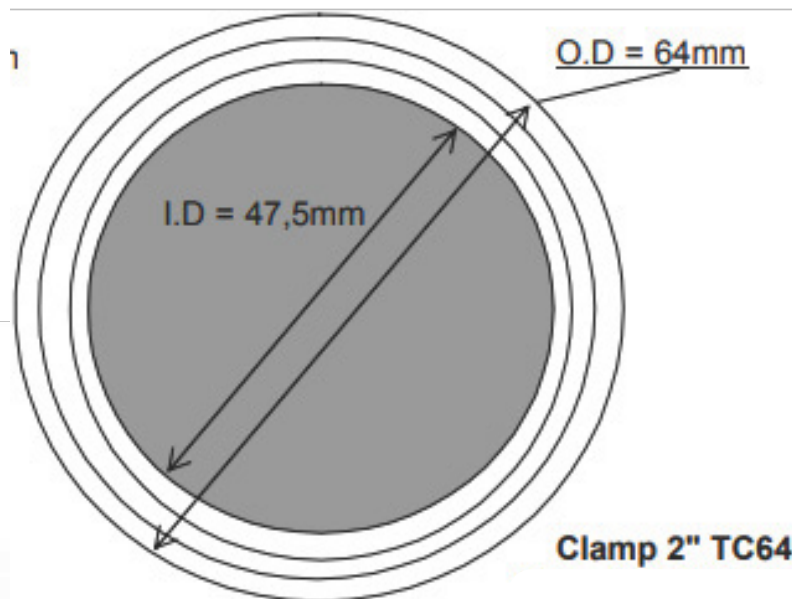
05 2025



Clamp 1" TC50,5



Clamp 1,5" TC50,5



Clamp 2" TC64

LIMITATIONS AND SAFETY: It is the user's responsibility to ensure the suitability and safety of Aseptic Group products for all intended uses. Products must be used in accordance with applicable regulatory requirements defined in datasheet.

Aseptic Group assumes no obligations or liability for any advice furnished by it, or for results obtained with respect to these products. The data supplied is given and accepted at the buyer's risk.

WARRANTY: Aseptic Group products are warranted to be free from defects in materials and workmanship. Any products found to carry such defects will be replaced without charge. This warranty is limited only to the replacement of Aseptic Group products. Aseptic Group specifically disclaims any other liability.

05 2025



The Single-Use Expert for the Biopharma Market

For more information, please contact us :

sales@aseptic-group.com



Aseptic Group



 **+ 33 (0)4 72 52 02 40**

 www.aseptic-group.com

 Parc du Puy d'Or, 539 allées des frênes,
69760 Limonest, FRANCE

**ASEPTIC
GROUP**
A GARLOCK
HYGIENIC
TECHNOLOGIES
COMPANY